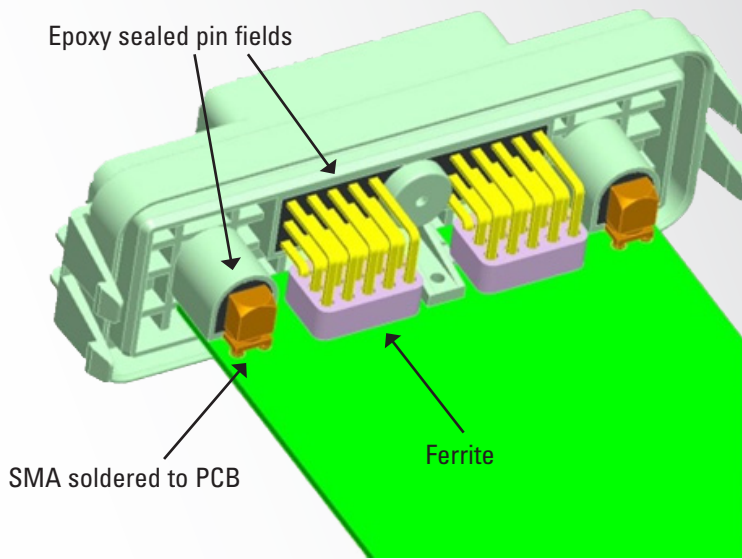




ModICE® ME-RF Enclosure with integrated SMA

The ModICE® RF Advantage

- Off the shelf enclosure solution for rugged electronics
- Integrated SMA connectors
- RF device “Quick Connect”
- Eliminate the need for complex machining and manual installation of SMA’s and RF jumper cables
- Simple module assembly with snap-in Header/PCB



Technology

ModICE® is a line of connector enclosures that offers sealed packaging solutions for rugged electronic control modules.

ModICE® ME-RF offers a unique enclosure cover (header) with integrated SMA connectors for quick connect of antenna and other RF devices.

Product Offering

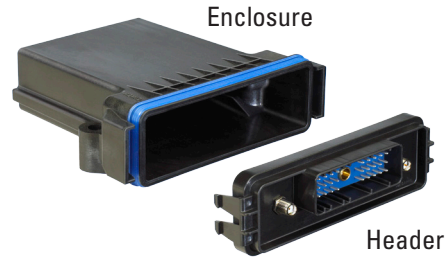
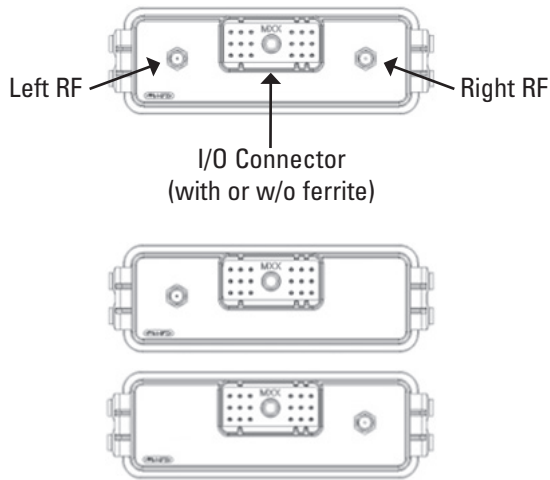
- Main connector - 18 or 30 I/O (with or without ferrite)
- RF - 1 or 2 SMA
- Standard or Reverse Polarity SMA
- SMA soldered to PC board





ModICE® ME-RF Enclosure with integrated SMA

Header Arrangement
(Face View – 18 I/O shown)



| Enclosure | |
|------------|-------------------------|
| 5810130065 | Standard enclosure |
| 5810130075 | Enclosure with breather |

| Application Tooling | |
|---------------------|--------------|
| 5991111652 | Closing Tool |
| 5991111440 | Opening Tool |

| Performance Characteristics | |
|---|----------------|
| Operating temperature | -40°C to +85°C |
| Sealing | IP67, IP69K |
| Current carrying capacity (I/O connector) | 10 Amps |
| SMA | 50 Ohm |

| Header | I/O | Ferrite | Left RF | Right RF |
|------------|-----|---------|---------|----------|
| 5810618001 | 18 | No | RP-SMA | SMA |
| 5810618002 | 18 | Yes | RP-SMA | SMA |
| 5810618003 | 18 | No | n/a | SMA |
| 5810618004 | 18 | Yes | n/a | SMA |
| 5810618005 | 18 | No | RP-SMA | n/a |
| 5810618006 | 18 | Yes | RP-SMA | n/a |
| 5810618007 | 18 | No | RP-SMA | RP-SMA |
| 5810618008 | 18 | Yes | RP-SMA | RP-SMA |
| 5810618009 | 18 | No | SMA | SMA |
| 5810618010 | 18 | Yes | SMA | SMA |
| 5810630001 | 30 | No | RP-SMA | SMA |
| 5810630002 | 30 | Yes | RP-SMA | SMA |
| 5810630003 | 30 | No | n/a | SMA |
| 5810630004 | 30 | Yes | n/a | SMA |
| 5810630005 | 30 | No | RP-SMA | n/a |
| 5810630006 | 30 | Yes | RP-SMA | n/a |
| 5810630007 | 30 | No | RP-SMA | RP-SMA |
| 5810630008 | 30 | Yes | RP-SMA | RP-SMA |
| 5810630009 | 30 | No | SMA | SMA |
| 5810630010 | 30 | Yes | SMA | SMA |