



### Description:

The Series PTSR-X Push-to-Seat sealed relay holder is specifically designed to accept standard Mini ISO relays, Delphi 630 Metric-Pack terminals and 480 Metric-Pack seals. This uniquely designed sealed unit also features a Push-to-Seat connection system, that eliminates the costly and labor intensive “5 step” pull-to-seat assembly approach.

### Specifications:

Base-polyester thermoplastic

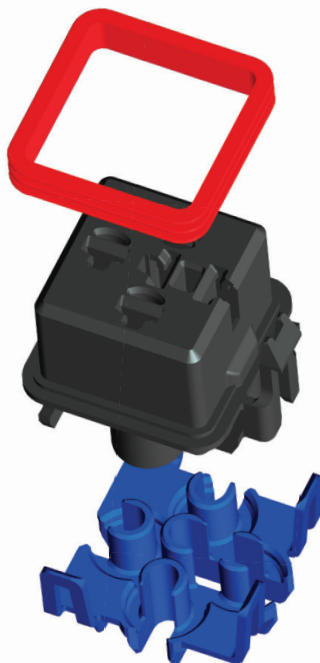
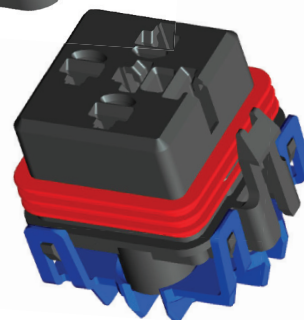
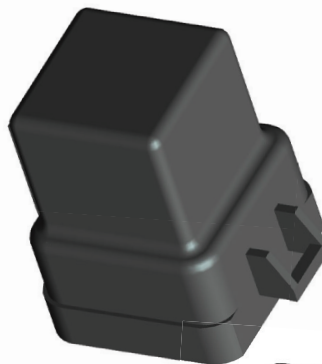
Seal-silicone

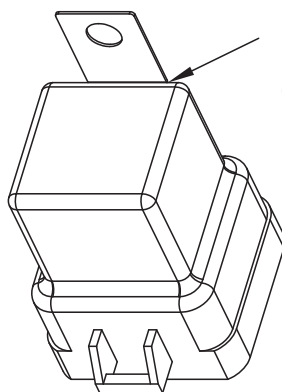
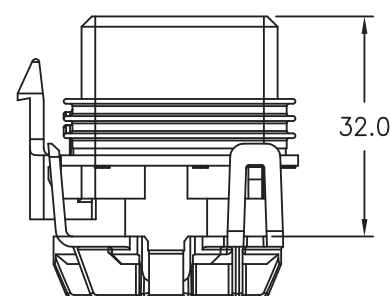
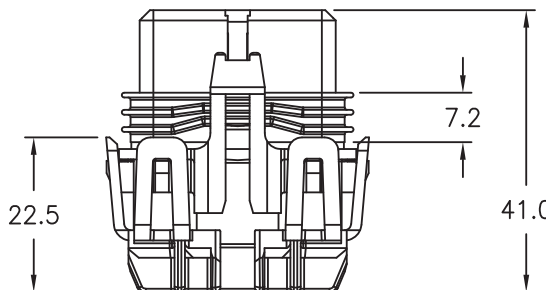
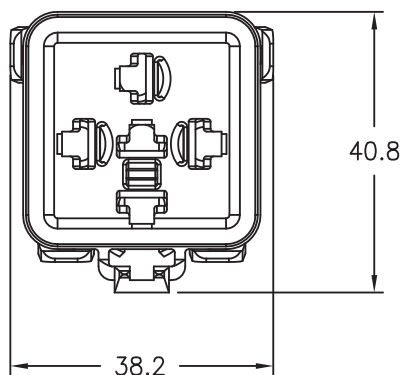
TPA-nylon

### Features:

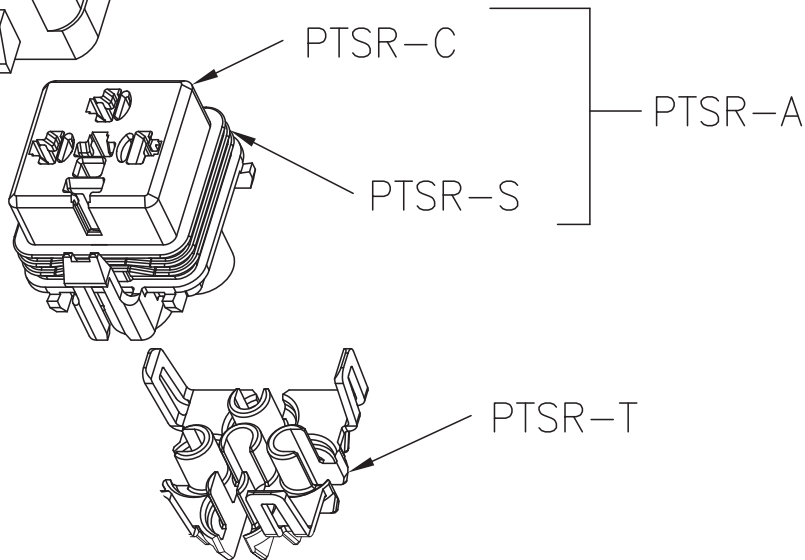
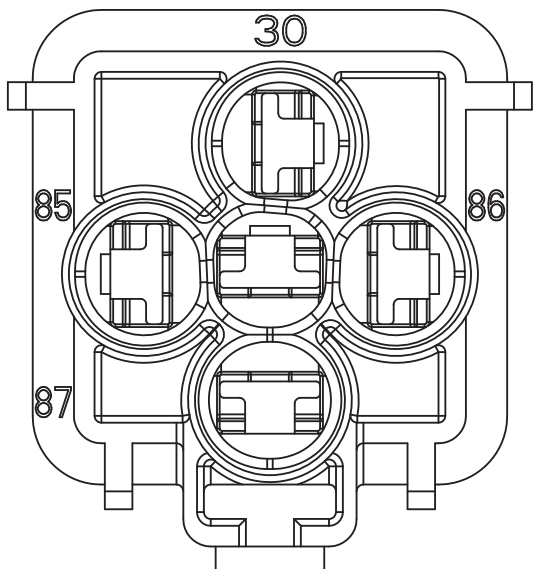
- Sealed, rated at IP 66
- Labor saving “push-to-seat” connection system
- Molded in rugged polyester thermoplastic material
- Accepts any wire size, in any cavity using Delphi 630 Metric-Pack sealed push-to-seat terminals

**NOTE...Requires DELPHI 480 Metric-Pack Cable Seals**





MATES TO A CUSTOMER PROVIDED MINI ISO RELAY



PTSR-X

OPTIONS

- A - CONNECTOR & SEAL ASSEMBLY
- C - CONNECTOR BODY
- S - CONNECTOR SEAL
- T - TPA (TERMINAL POSITION ASSURANCE)